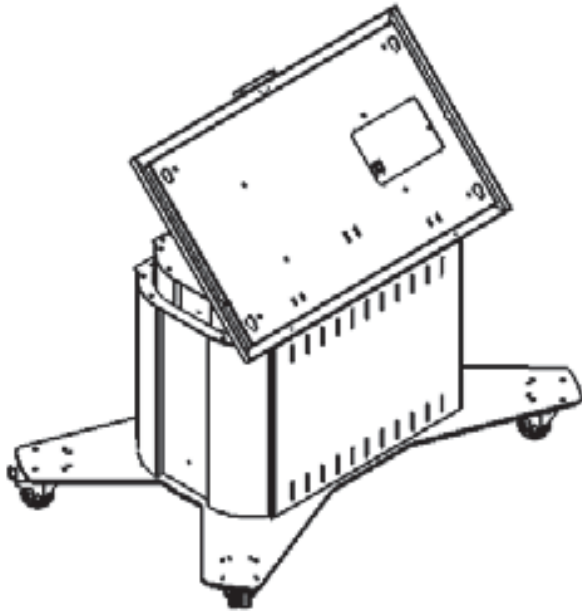


# Table Smart



This touch table cabinet will attract the attention of multiple people at the same time. The cabinet has an integrated power lift providing easy adjustment for the most ergonomic height, allowing the user to stand or sit during their interactive experience. The angle of the display can also be adjusted to any angle between horizontal and vertical. The cabinet has ample space to place a PC tower and provides an easy access network and power outlets.

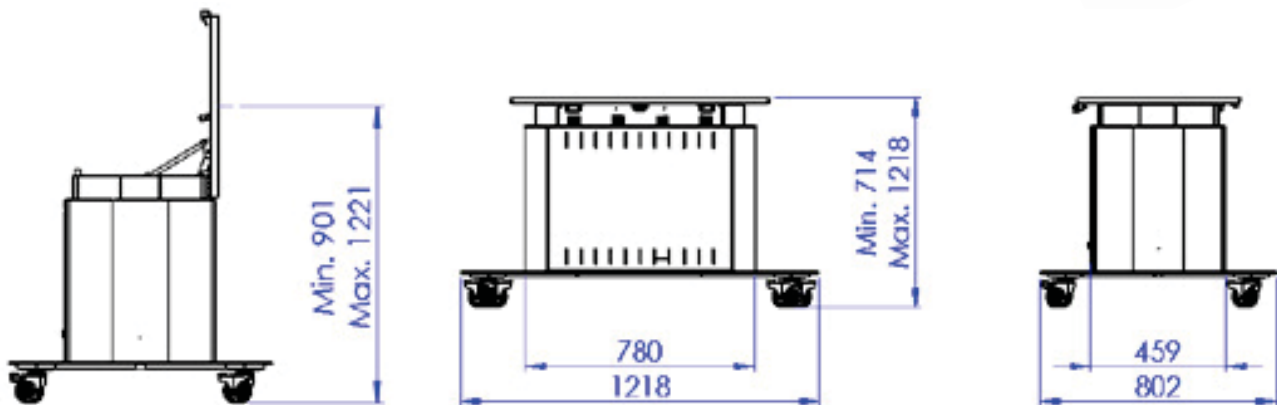




EAN number: 8718274262858  
 Type: Table cabinet  
 Mobility: Mobile  
 Max. screen size: 46 - 70 inch  
 Electric adjustable: Yes  
 Socket: Power/Network/USB  
 VESA: 200x200, 300x300, 200x400  
 Weight: 115 kg / 253 lbs  
 Color: Black  
 Warranty: 2 years  
 Options: Custom colors  
 Remotecontrol



Remote control



PresTop Products uses Actuators and Lifting Columns which are designed and verified to be in conformity to all applicable regulatory requirements and standards. Declarations of Conformity and CB Test Certificates, issued by National Certification Bodies, are available on request.

All our lifts are equipped with PIEZO™ (collision protection). PIEZO minimizes the risk for damages on a desk caused by squeezing or blocking of an obstacle.

Touchez Ltd., 28 Royal Close, London N16 5SE  
 +44-20-8211.8909 +44-7870.137.373  
 touchez.co.uk bart.kamp@touchez.co.uk  
 Specifications are subject to change without prior notice.